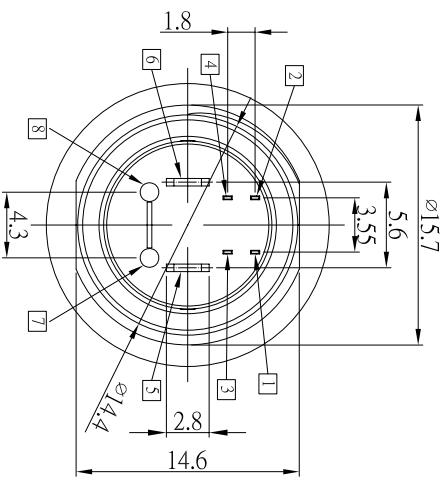
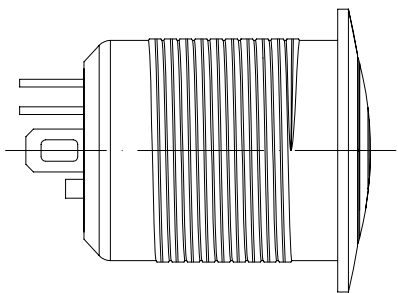
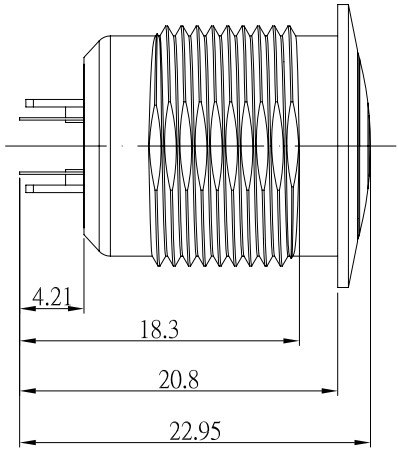
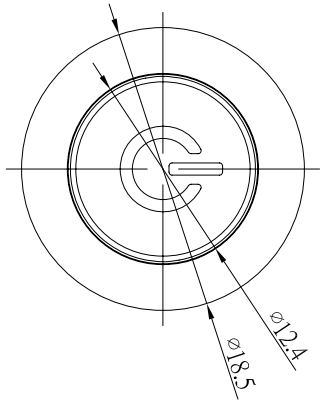
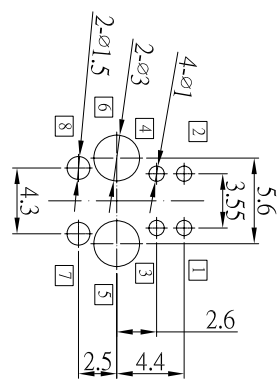


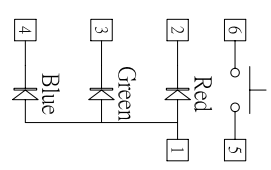
DIMENSION	TOLERANCE
BELOW 10 mm	±0.3
10-100 mm	±0.5
ABOVE 100 mm	±0.8
ANGLE	±3°



P.C.B LAYOUT



CIRCUIT DIAGRAM



COLOR OF LED

RGB	FULL COLOR
G	Green
R	Red
O	Orange
W	White

Well Buying Industrial Co., Ltd.
TRIAL PRODUCT
R & D DEPARTMENT

DATE	APPROVAL	DESIGN	ENGINEERING CHANGE DESCRIPTION	DATE	APPROVAL	DESIGN	UNIT	MODE	TACT SWITCH
				2012/02/01	KAVEN	JASON	mm	PART	PS021-TRIAL PRODUCT
					TEREANCE		1 : 1	2D FILE NAME	PS021-TRIAL PRODUCT
							VIEW	3D FILE NAME	
							VER.		